



- Enclosure system for control and display fittings
- Variable size available in width and depth
- All-round adaptation capabilities for accessories
- Front panel insertion from front and rear

Included in delivery:

Enclosure body with rear panel or door, front panel fixing set, cover profile and T-groove cover.

Technical data

Material:

profile: DIN EN 573 EN AW-AlMgSi

front panel / rear wall: DIN EN 573 EN AW-AlMg3

corner pieces: DIN EN 1706 EN AC-AISI 12 (Fe)

Seal:

CR round seal

Painting:

powder coating

Colour:

enclosure: RAL 7035, light grey

handle tube: RAL 3003, ruby red

Ingress protection:

IP 65 to EN 60529

Temperature range:

-30°C to +80°C

SL 2000

Programme range

Front panel dimensions H x W (mm)	Profile 1 Mounting depth	Weight (kg)	Profile 2 Mounting depth	Weight (kg)	Profile 3 Mounting depth	Weight (kg)	Font panel with drill hole (insert from front)	Weight (kg)	Front panel without drill hole (insert from rear)	Weight (kg)
Rear panel screwed										
267 x 483	19.50 65 01	4.7	19.50 95 01	5.5	19.50 19 01	6.7	19.60 00 01	1.0	19.60 00 11	1.0
312 x 483	19.51 65 01	5.1	19.51 95 01	5.9	19.51 19 01	7.1	19.60 01 01	1.2	19.60 01 11	1.2
356 x 483	19.52 65 01	5.4	19.52 95 01	6.3	19.52 19 01	7.5	19.60 02 01	1.4	19.60 02 11	1.4
155 x 483	19.53 65 01	3.9	19.53 95 01	4.6	-	-	19.60 04 01	0.6	19.60 04 11	0.6
Special sizes*	19.59 65 01		19.59 95 01		19.59 19 01		19.60 03 01		19.60 03 11	
Door at rear										
267 x 483	19.50 65 00	4.9	19.50 95 00	5.6	19.50 19 00	6.8	19.60 00 01	1.0	19.60 00 11	1.0
312 x 483	19.51 65 00	5.2	19.51 95 00	6.0	19.51 19 00	7.2	19.60 01 01	1.2	19.60 01 11	1.2
356 x 483	19.52 65 00	5.5	19.52 95 00	6.4	19.52 19 00	7.6	19.60 02 01	1.4	19.60 02 11	1.4
155 x 483	19.53 65 00	4.0	19.53 95 01	4.7			19.60 04 01	0.6	19.60 04 11	0.6
Special sizes*	19.59 95 00		19.59 95 00		19.59 19 00		19.60 03 01		19.60 03 11	

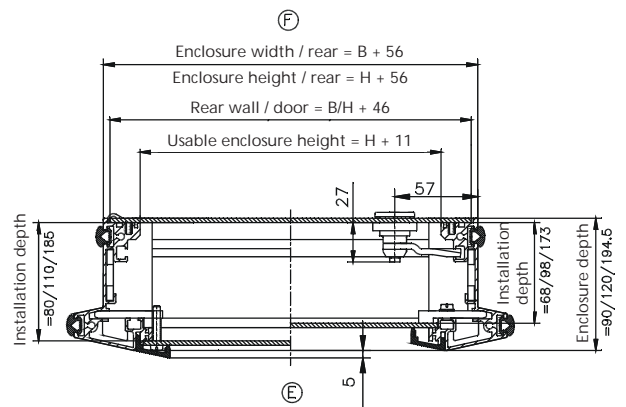
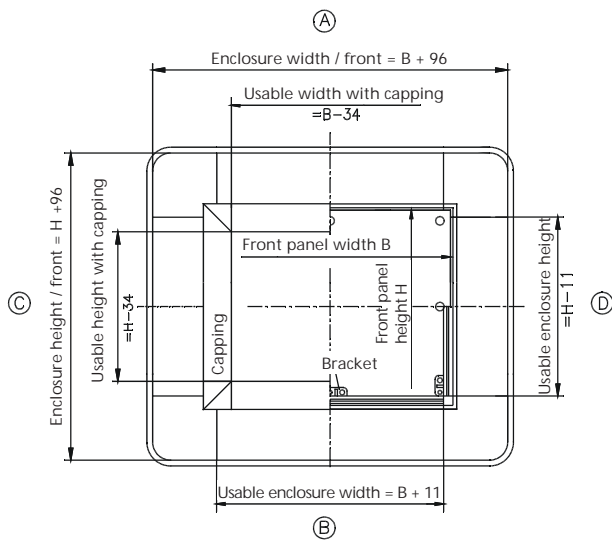
* Please specify front panel dimensions

Accessories

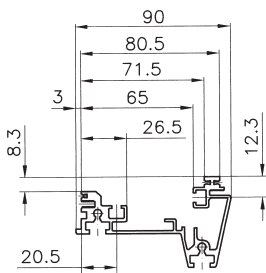
	Order No.
Console attachment set, 15° fixed inclination, for console front panel height 100 - 270 mm (2.0 kg)	19.59 00 11
Console attachment set, 30° fixed inclination, for console front panel height 100 - 270 mm (2.0 kg)	19.59 00 12
Console attachment set, adjustable (2 kg)	19.59 00 13
Console attachment set, 15° fixed inclination, special length	19.59 00 98
Console attachment set, 30° fixed inclination, special length	19.59 00 99
Keyboard holder (3 kg)	19.60 10 04
Linking bar, standard length 483 mm (0.5 kg)	19.59 00 20
Linking bar, special length	19.59 00 21
Hinge set (2 hinges incl. screws 0.25 kg)	19.60 10 08
Disc drive bay (0.2 kg)	19.60 10 05
Panel mounting set (6 elements incl. screws) for profiles 1+2 (0.3 kg)	19.60 10 00
Panel mounting set (6 elements incl. screws) for profile 3 (0.3 kg)	19.60 10 03
Fixing set 1 (12 spring nut, brackets, screws)	19.60 10 01
Fixing set 2 (30 spring nut, brackets, screws)	19.60 10 02
Rubber cover (5 mm wide)	19.60 10 06
Rubber cover (8 mm wide)	19.60 10 11
Quick fastener set (12 pcs)	19.60 10 07
Document holder for attachment to side handle (0.7 kg)	19.60 10 09
Spring nut set M5 (8 pcs)	10.03 60 01
Handle set (2 brackets, 1 tube), length 256 mm (0.6 kg)	19.60 20 01
Handle set (2 brackets, 1 tube), length 301 mm (0.7 kg)	19.60 20 04
Handle set (2 brackets, 1 tube), length 345 mm (0.7 kg)	19.60 20 05
Handle set (2 brackets, 1 tube), length 472 mm (0.8 kg)	19.60 20 06
Handle corner set (3 brackets, 1 tube) length 556 / 395 mm (1 kg)	19.60 20 02
Handle set, special length	19.60 20 99
Coupling flange profile 1 for GT 48/2 and GTK electronic (0.2 kg)	19.60 20 03
Coupling flange profile 2 for GT 48/2 and GTK electronic (0.3 kg)	19.60 20 11
Coupling flange profile 3 for GT 48/2 and GTK electronic (0.5 kg)	19.60 20 12
Coupling flange profile 2 for GT 50/2, GT 60/2 and GTN II (0.6 kg)	19.60 20 07
Coupling flange profile 3 for GT 50/2, GT 60/2 and GTN II (0.7 kg)	19.60 20 08
Coupling flange profile 3 for GT 80/2 and GTK 80 (1.2 kg)	19.60 20 13
Coupling flange profile 2 for GT 80/2 (0.7 kg)	19.60 20 14
Keyboard drawer	10.99 20 01
Document holder for handle mounting	20.60 10 04
Document holder for direct mounting	20.60 10 05
Mousepad rack	20.60 10 06

Caution: Connection to suspension system only using flange coupling or angle flange coupling.

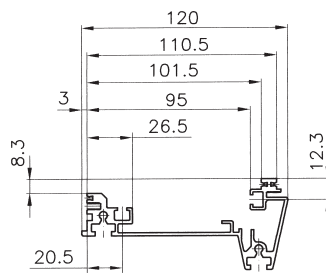
Dimensions



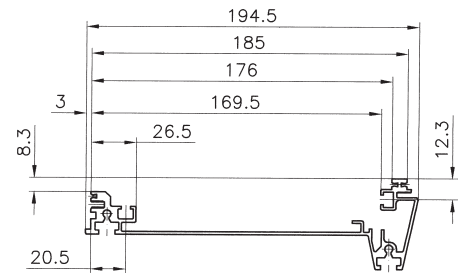
Profiles



Profile 1



Profile 2

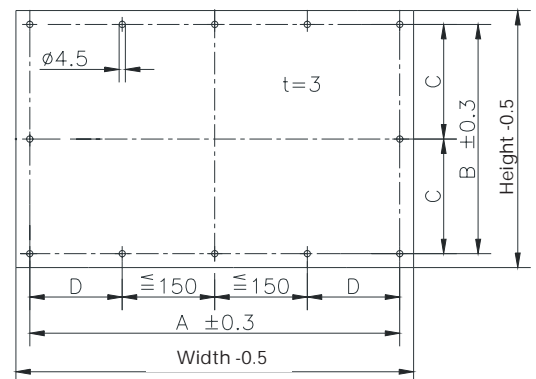


Profile 3

Accessories

Front panel

Order No.	Width	Height	A	B	C	D
19.60 00 01	483	267	465	249	124.5	116
19.60 01 01	483	312	465	294	147	116
19.60 02 01	483	356	465	338	169	116
19.60 04 01	483	155	465	137	-	116
19.60 03 01	variable	155	width - 18	height - 18	≤ 150	≤ 150



Accessories

Front panel fastening



Front panel installation screwed from front



Front panel installation from rear



Front panel installation with stud bolts



Fixing set

Plastic parts for fitting front panel consisting of spring nuts, brackets and bolts

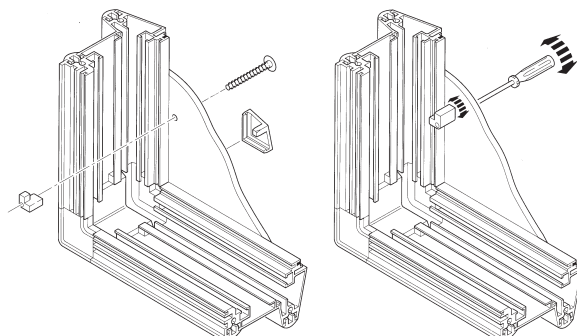
Order No.	Version
19.60 10 01	12 spring nuts, brackets, screws
19.60 10 02	30 spring nuts, brackets, screws



Quick fastener set

12 plastic parts for quick fastening screwed front panels from front

Order No. **19.60 10 07**



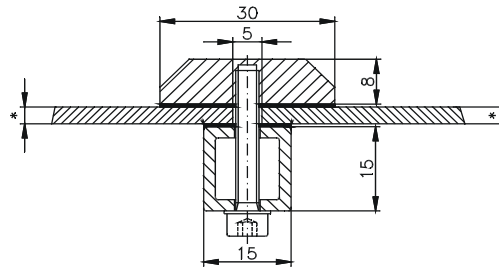
Accessories



Linking bar

for installation of two or more front panels into one enclosure

Order No.	Version
19.59 00 20	Standard length 483 mm (0.5 kg)
19.59 00 21	Special length



* Front panels must be of equal thickness for use with separating fin.

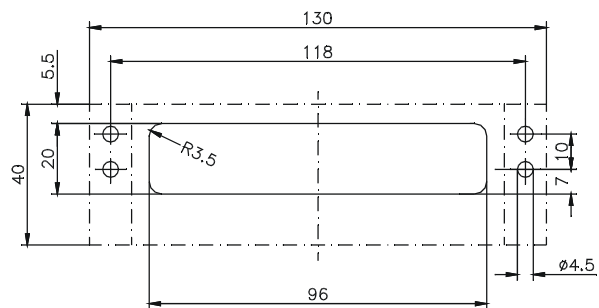


Disc drive bay

for installation of standard disk drives from the side into the profile or the front panel. Enclosure rating IP 65 when flap closed.

Order No. 19.60 10 05

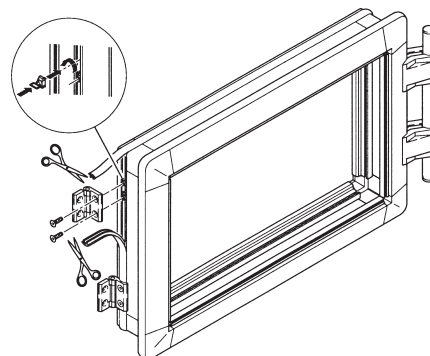
Insert space for disc drive bay



Hinge set

for hinge mounting directly on wall or machine

Order No. 19.60 10 08 (2 hinges incl. screws; 0.25 kg)



Accessories



Handle set

Order No.	Version
19.60 20 01	2 brackets, 1 tube, length 256 mm (0.6 kg)
19.60 20 04	2 brackets, 1 tube, length 301 mm (0.7 kg)
19.60 20 05	2 brackets, 1 tube, length 345 mm (0.7 kg)
19.60 20 06	2 brackets, 1 tube, length 472 mm (0.8 kg)
19.60 20 02	Handle corner set: 3 brackets, 1 tube, length 556/395 mm (1 kg)
19.60 20 99	Handle set, special length



Coupling flange

for connection of the SL 2000 to suspension systems

Order No.	Version
19.60 20 03	Profile 1 for GT 48/2 and GTK electronic GTK electronic only 49.45 73 00; 49.45 75 00)
19.60 20 11	Profile 2 for GT 48/2 and GTK electronic
19.60 20 12	Profile 3 for GT 48/2 and GTK electronic
19.60 20 07	Profile 2 for GT 50/2, GT 60/2 and GTN II
19.60 20 08	Profile 3 for GT 50/2, GT 60/2 and GTN II
19.60 20 13	Profile 3 for GT 80/2 and GTK 80
19.60 20 14	Profile 2 for GT 80/2

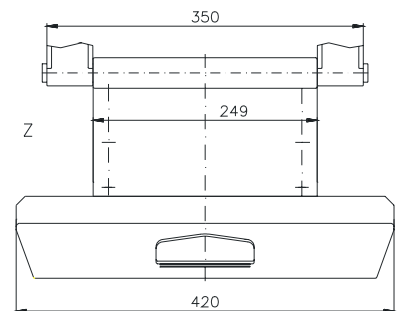
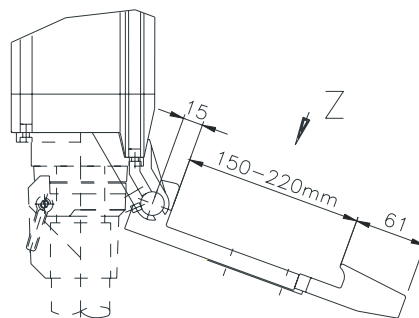
Caution: Connection to suspension system only using flange coupling or elbow flange coupling.



Keyboard holder

To hold standard PC keyboards, consisting of fittings and keyboard holder

Order No. 19.60 10 04



Anbau an SL 2000 mit Frontplattenbreite ≥ 370 .
Bei Kombination mit Geräteträgersystem an Seite B,
bitte Profiltiefe und Schwenkbereich beachten.

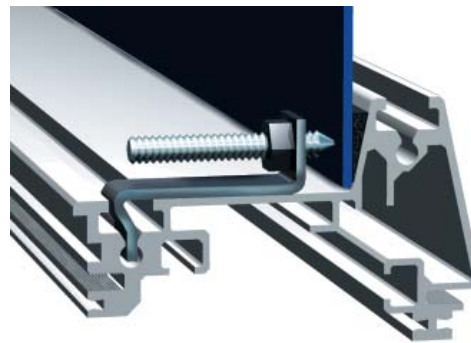
Accessories



Control panel installation set

For direct assembly of the SL 2000 into machine panel or switchgear cabinet

Order No.	Version
19.60 10 00	6 elements incl. screws for profiles 1+2
19.60 10 03	6 elements incl. screws for profile 3



Console attachment set

To connect two enclosures to one console

Order No.	Inclination	for console front panel height operating enclosure	for console front panel height keyboard enclosure
19.59 00 11	15° fixed	250 - 370 mm	100 - 270 mm (2 kg)
19.59 00 12	30° fixed	250 - 370 mm	100 - 270 mm (2 kg)
19.59 00 13	Adjustable		(2 kg)
19.59 00 98	15° fixed	special length*	special length*
19.59 00 99	30° fixed	special length*	special length*

* Please specify enclosure length when ordering

The operating and keyboard enclosures must be the same width



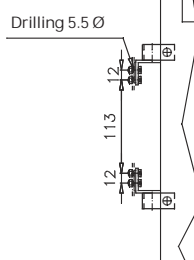
Document holder

Clipboard for installation on side handle

Order No. 19.60 10 09

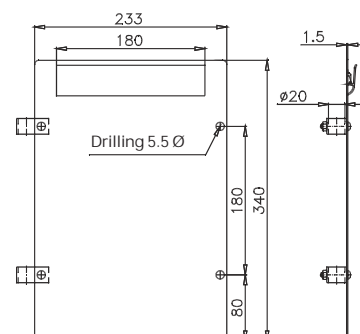
Document holder for direct mounting

Order No. 20.60 10 05



Document holder for handle mounting

Order No. 20.60 10 04



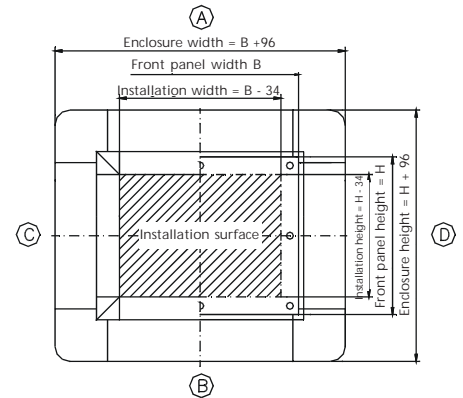
Company _____ Telephone _____
 Contact _____ Fax _____
 Address _____ E-Mail _____

Operational enclosure

Version Door Rear panel screwed

Dimensions Profile 1 Profile 2 Profile 3
 _____ Recessed rear panel for mm mounting depth

Please specify front panel dimensions and/or manufacturer/controller type:
 W x H (mm) _____ x _____
 and/or manufacturer/type _____
 W x H (mm) _____ x _____
 and/or manufacturer/type _____
 W x H (mm) _____ x _____
 and/or manufacturer/type _____



Front panel 3 mm, with drill holes 3 mm, without drill holes other _____ mm
 Fit in accordance with drawing (please attach)
 and/or specify manufacturer/controller type: _____

Keyboard enclosure

Version Door Rear panel screwed

Dimensions Profile 1 Profile 2
 Please specify the number and dimensions of the front panel or the manufacturer and controller type.

W x H (mm) _____ x _____ manufacturer/type _____
 W x H (mm) _____ x _____ manufacturer/type _____

Front panel 3 mm, with drill holes 3 mm, without drill holes other _____ mm
 Fit in accordance with drawing (please attach)
 and/or specify manufacturer/controller type: _____

Console attachment set Standard _____ (Order No.) Special length _____ mm

Suspension system GTK electronic / GT 48/2, on side _____ GT 50/2 / GT 60/2, on side _____
 GT 80/2 / GTK 80, on side _____ GTN II, on side _____
 _____ Other on side _____ Moterm Operational enclosure from 236 mm front panel width,
 Console enclosure (fixed inclination) from 390 mm front panel width,
 Console enclosure (fixed inclination) from 560 mm front panel width,

Handle set Standard _____ (Order No.) Mounting side _____
 Special length _____ mm Mounting side _____

Colour Standard (RAL 7035, handle red RAL 3003) Special colour (RAL) _____

Other accessories Disk mounting bay, mounting side _____ Hinge set, mounting side _____
 Keyboard holder Document holder Separation fin, qty _____
 Panel mounting set for profile 1 Panel mounting set for profile 2 Panel mounting set for profile 3
 Fixing set 12-piece Fixing set 30-piece Quick fastener set
 Spring nut set Rubber cover narrow 8 mm Rubber cover narrow 5 mm